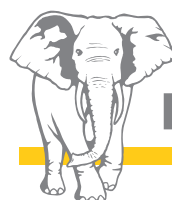


# NEW generation of truck mixer

Convenience-controlled, durable, lightweight



**Putzmeister**

# Concrete innovation



# Intermix stands for experience

## With knowledge spanning over 30 years

Intermix stands for innovation, flexibility and quality in the production of truck, industrial, tunnel and special-purpose mixers. Intermix always puts its customers' needs first, and so its truck mixers are today represented all over the world in numerous markets. Since 2012, the combination of experience, outstanding technical innovation and strategic customer orientation has rounded out the offering of the Putzmeister Group.



## Putzmeister Holding GmbH

Putzmeister Holding GmbH develops, produces and sells throughout the world top-quality machines, which are used primarily for conveying concrete, mortar and industrial solids. The market segments are in the construction industry, in mining and tunnel construction, large-scale industrial projects and in power stations and sewage treatment plants, as well as waste incinerator plants.

Putzmeister Group companies, then, service segments in various areas:

- Concrete technology
- Industrial technology (oil, gas)
- Power station and environmental technology
- Mortar and screed technology
- Mining



# The new Putzmeister truck mixer – simply better all-round

Mixing concrete – now more convenient thanks to a (practically) fully-automated system

We are always on the lookout for the optimum solution. This is why we have, for example, developed a new control which we supply with our new truck mixers.



### **Control, mix and wash just once**

The new fully-electronic Ergonic® Mixer Control (EMC) lets you save fuel and work efficiently.

### **Cleanly designed and realised**

From the flexible universal joint shaft cover to the safe transport of the tool to the optimal accessibility for maintenance and service, our new truck mixers offer a successful combination of convenience, safety and efficiency.

# On the road to success – with the new Ergonic® Mixer Control

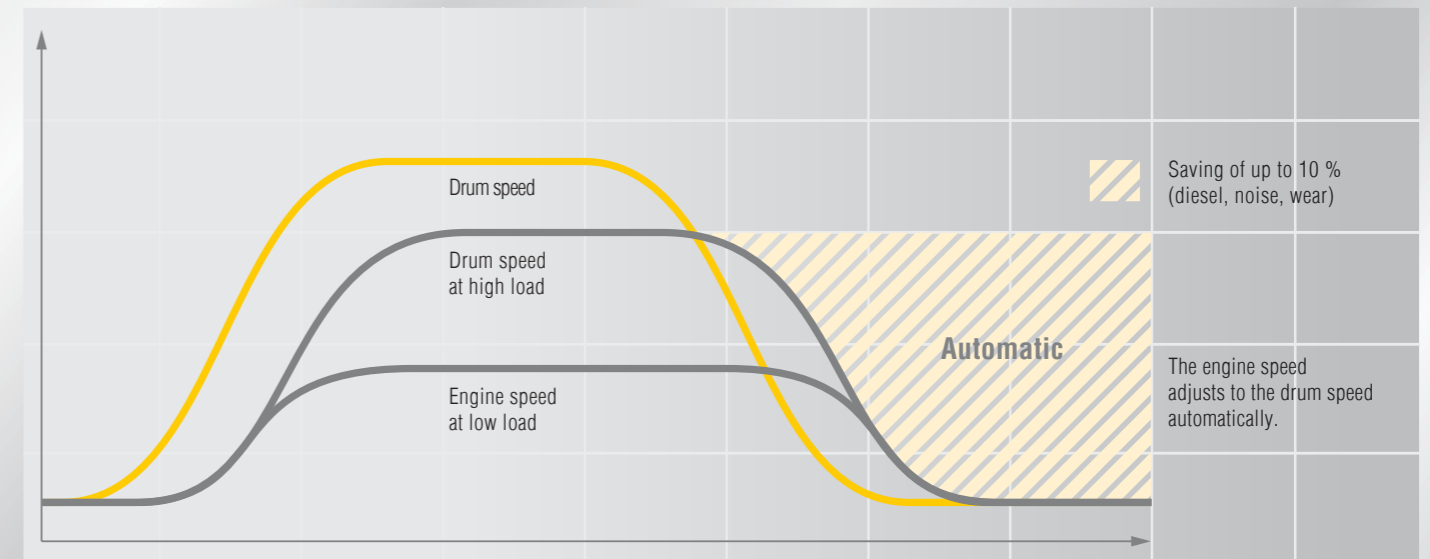
## The mixture does it – proven, innovative and robust

Ergonic® inside – or the optimised fully-electronic control and regulation of mixer drum and vehicle engine.

The new Ergonic® Mixer Control (EMC) for truck mixers allows the mixer drum to be operated by radio remote control (optional). The „Mix“ and „Empty“ and „Fast“ and „Slow“ functions are conveniently controlled by the machine operator from where he is stood.

## The benefits of the Ergonic® Mixer Control at a glance

- **Sturdy hardware**, proven and robust components (e. g. sensors)
- **Time saving** thanks to a wash program
- **More planning reliability** for the scheduler through information on the emptying speed of the mixer drum
- **Optimum engine speed** for the lowest fuel consumption (– 10 %), wear and noise via EOC (Ergonic® Output Control)
- **Independent drum speed** via CSD (Constant Speed Drive)
- **Memory function** for returning to the set speed after a stop
- **Fault acknowledgement function**



## EOC – Ergonic® Output Control

The driver controls the drum speed from the truck mixer control. The EOC controls to perfection the engine speed with minimum fuel consumption, wear and noise. If the drum is not moved, the engine returns to idling speed. The result is a fuel saving of up to 10 percent.

**ergonic**  
inside

## Mixer drum speed is now independent

Thanks to the Constant Speed Drive (CSD) module, the mixer drum rotates in drive mode at a constant speed independent of the diesel engine speed.

Once the mixer drum stops, the memory function is able to automatically resume the previously set drum speed.



Practically designed and made down to the finest detail



### Simple. Unbeatable

The radio remote control (optional) is incredibly well-arranged, and makes working with the machine even more convenient and safe.



### Planning reliability for the scheduler

For truck mixers with integrated fleet management system (optional), it is already possible to track the vehicle's path. With EMC, the emptying speed of the mixer drum can now also be transmitted to standard interfaces via the CAN-BUS. This allows the scheduler to estimate when the truck mixer will be available again.

### Wash and empty just once – now fully-automated

Putzmeister mixer trucks are equipped with a wash program. After emptying, the mixer drum is cleaned with a small amount of water at the push of a button. This function has been used on the PUMI® for years.



### Fully-developed features of the new Putzmeister truck mixer

#### Fully-automated Ergonic® Mixer Control (EMC)

- Robust hardware
- Fully-automated wash program
- Planning reliability through information via an interface
- Ergonic® Output Control (EOC)

#### Enclosed mixer frame made from S500 steel

- Increased stability of the entire structure

#### Underride protection with footstep

- Safe and ergonomic working

#### Optimised drum geometry

- Low centre of gravity
- Low structural height
- Double drip ring

#### Enclosed rear up to the frame

- Easy to clean
- Reduced soiling

#### Enlarged platform with ergonomic guard rail

- Simple and safe cleaning
- Optimised knee guard

#### Integrated stowage compartment (optional)

- Tools such as grease guns are easily accessible
- Safe stowage outside of the driver's cab

### For everyday use – robust keypad

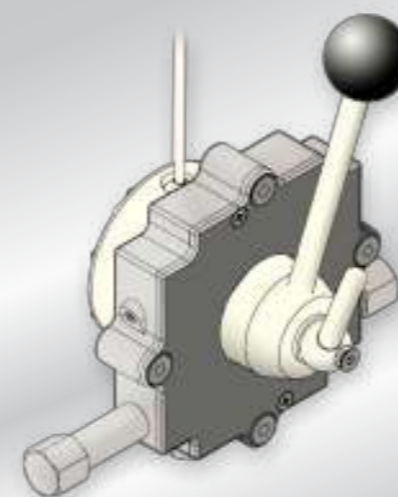
The new keypad is ergonomically positioned at the back of the machine in the driver's cab. It is extremely robust and dirt resistant. The operating lever is fitted with a non-contact sensor from concrete pumping technology.



Rear keypad



Driver's cab keypad



Operating lever for drum speed and rotational direction

#### Large manhole – Ø 580 mm

- Simple inspection and cleaning
- Especially operator-friendly, e.g. through ideal clamp protection devices, improved accessibility and even simpler cleaning
- Optimised design permits the use of applications

#### Reduced consumption and operating costs

- Assemblies made from wear-resistant Hardox steel (optional)
- Optimised corrosion protection
- Mounting parts made from aluminium
- High payload capacities from further weight optimisation thanks to a rigid lightweight construction

#### Long discharge chute – 1.45 m

- Good accessibility to pump and crane bucket

# Truck mixer P

## Putzmeister truck mixer – rugged is the best policy

Truck mixers are used on a daily basis. They must be reliable in operation and low maintenance. In harsh environments and when exposed to coarse materials, the low wear in particular is essential to these mixers being able to deliver ready-mixed concrete at the same quality even after many years.

Putzmeister truck mixers are therefore consistently built as standard with boron/magnesium steel.

This heat-treated steel offers high wear protection for a good price; therefore, so the truck mixer withstands harsh conditions and guarantees a long service life.



### Key data of boron/magnesium steel:

- **27 Mn Cr B5 boron/magnesium steel**
- **Approx. 30% higher wear resistance** than a standard construction steel
- **Material thickness 4–6 mm** depending on wear zone with edge protection on the coils

### Technical data

	P 7	P 8	P 9 G	P 10	P 12
<b>Nominal fill</b>	7.00 m <sup>3</sup>	8.00 m <sup>3</sup>	9.00 m <sup>3</sup>	10.00 m <sup>3</sup>	12.00 m <sup>3</sup>
<b>Water line</b>	8.23 m <sup>3</sup>	9.33 m <sup>3</sup>	10.46 m <sup>3</sup>	11.16 m <sup>3</sup>	13.55 m <sup>3</sup>
<b>Geometric volume</b>	12.97 m <sup>3</sup>	14.19 m <sup>3</sup>	16.06 m <sup>3</sup>	17.14 m <sup>3</sup>	20.11 m <sup>3</sup>
<b>Installation angle</b>	12.70°	12.70°	11.40°	10.88°	10.68°
<b>Height</b>	2 645 mm	2 687 mm	2 694 mm	2 713 mm	2 864 mm
<b>Weight*</b>	3 520 kg	3 840 kg	4 120 kg	4 370 kg	4 840 kg

\* All weight values are mounted/operational, deviations +/- 5 %.

# Truck mixer P Ultra Light – Transporting concrete more easily is not so hard

## Perfect combination of light weight and long life

The low empty weight is a key factor for the P UL range. Every weight reduction then means a higher load capacity and lower fuel and tire costs, fees and taxes. At the same time, you can easily comply with country-specific directives on empty and total weight. For over 6 years, we have collaborated closely with SSAB Engineering and driven forward the series production of „Hardox truck mixers“. Since 2011, the truck mixers have been on the road with the „Hardox in my body“ insignia.

## Long service life is a must

Durability is ensured by the outstanding characteristics of Hardox for wear, toughness, rigidity and hardness.

Hardox 400 or 450 used for drums, coils and lateral edge protection, in chutes, discharge shells and filling hoppers offers:

- 20 % weight saving over standard 4.5 mm thick steel constructions
- Reduced consumption and operating costs
- Consistent durability
- Higher load capacity – more payload
- Fewer wear plate replacements



## Technical data

	P 7 UL	P 8 UL	P 9 UL	P 9 G UL	P 10 UL	P 12 UL
<b>Nominal fill</b>	7.00 m <sup>3</sup>	8.00 m <sup>3</sup>	9.00 m <sup>3</sup>	9.00 m <sup>3</sup>	10.00 m <sup>3</sup>	12.00 m <sup>3</sup>
<b>Water line</b>	8.23 m <sup>3</sup>	9.33 m <sup>3</sup>	9.8 m <sup>3</sup>	10.46 m <sup>3</sup>	11.16 m <sup>3</sup>	13.55 m <sup>3</sup>
<b>Geometric volume</b>	12.97 m <sup>3</sup>	14.19 m <sup>3</sup>	15.1 m <sup>3</sup>	16.06 m <sup>3</sup>	17.14 m <sup>3</sup>	20.11 m <sup>3</sup>
<b>Installation angle</b>	12.70°	12.70°	12.85°	11.4°	10.88°	10.68°
<b>Height</b>	2645 mm	2687 mm	2687 mm	2694 mm	2713 mm	2864 mm
<b>Weight*</b>	3050 kg	3270 kg	3330 kg	3500 kg	3730 kg	4100 kg

\* All weight values are mounted/operational, deviations +/- 5 %.

# Truck mixer P Light

# Truck mixer P Heavy



## Matched to customer requirements

Requirements of different markets are met by special solutions such as Classic, Standard, Light and Heavy/Reinforced.

Corresponding solutions such as 3 mm drum thickness and 4 mm coil thickness (Classic Light) or reinforced frame (Heavy) are offered in the various designs.

The aim is to help customers find solutions suited to their work.



## Technical data

	P 7 L	P 8 L	P 9 GL	P 10 L	P 12 L
<b>Nominal fill</b>	7.00 m <sup>3</sup>	8.00 m <sup>3</sup>	9.00 m <sup>3</sup>	10.00 m <sup>3</sup>	12.00 m <sup>3</sup>
<b>Water line</b>	8.23 m <sup>3</sup>	9.33 m <sup>3</sup>	10.46 m <sup>3</sup>	11.16 m <sup>3</sup>	13.55 m <sup>3</sup>
<b>Geometric volume</b>	12.97 m <sup>3</sup>	14.19 m <sup>3</sup>	16.06 m <sup>3</sup>	17.14 m <sup>3</sup>	20.11 m <sup>3</sup>
<b>Installation angle</b>	12.70°	12.70°	11.40°	10.88°	10.68°
<b>Height</b>	2 645 mm	2 687 mm	2 694 mm	2 713 mm	2 864 mm
<b>Weight*</b>	3 170 kg	3 460 kg	3 700 kg	3 940 kg	4 360 kg

\* All weight values are mounted/operational, deviations +/- 5 %.

## Technical data

	P 8 HR	P 9 G HR	P 10 HR	P 12 HR
<b>Nominal fill</b>	8.00 m <sup>3</sup>	9.00 m <sup>3</sup>	10.00 m <sup>3</sup>	12.00 m <sup>3</sup>
<b>Water line</b>	9.33 m <sup>3</sup>	10.46 m <sup>3</sup>	11.16 m <sup>3</sup>	13.55 m <sup>3</sup>
<b>Geometric volume</b>	14.19 m <sup>3</sup>	16.06 m <sup>3</sup>	17.14 m <sup>3</sup>	20.11 m <sup>3</sup>
<b>Installation angle</b>	12.70°	11.40°	10.88°	10.68°
<b>Height</b>	2 687 mm	2 694 mm	2 713 mm	2 864 mm
<b>Weight*</b>	4 530 kg	4 960 kg	5 160 kg	5 700 kg

\* All weight values are mounted/operational, deviations +/- 5 %.



Prepared for every tractor unit –  
the semitrailer from Intermix

Optional equipment – spoilt for choice



### Technical data

#### 2-axle trailer P 10 DS

<b>Nominal volume</b>	10.0 m <sup>3</sup>
<b>Water mass</b>	11.4 m <sup>3</sup>
<b>Wheelbase</b>	1.81 m, 38 to Wear-resistant steel or Hardox lightweight construction
<b>Drum and coils</b>	

#### 3-axle trailer P 12 DS

<b>Nominal volume</b>	12.0 m <sup>3</sup>
<b>Water mass</b>	13.1 m <sup>3</sup>
<b>Wheelbase</b>	1.31 m, 40 to Wear-resistant steel or Hardox lightweight construction
<b>Drum and coils</b>	

### The features of the P 10 DS and P 12 DS at a glance

- Low centre of gravity
- Integrated full load support
- Double-offset chassis with compact dimensions for high driving stability
- Stainless steel stowage compartment
- LED rear lights
- Separate Deutz engine or driven by semi-trailer tractor unit
- Composite construction with integrated transmission support floor
- Optional lift axle



Working spotlight



Rear view camera



Radio remote control



Oil pressure gauge



Folding section with gravity locking device



Rear keypad



Hydraulic 3/4 flap



Stowage box



Driver's cab keypad



Extension chute



Flowing concrete chute



Spray protection



Additive container 40 l



Additive container 50 l



Water meter

# Build on Putzmeister – in service, parts, training

## Everything that sets service apart

Swift assistance, meaningful advice and a reliable supply of genuine Putzmeister accessories and parts – in over 120 countries worldwide. This is what we at Putzmeister understand as first-class service.

### Ideally placed to support you

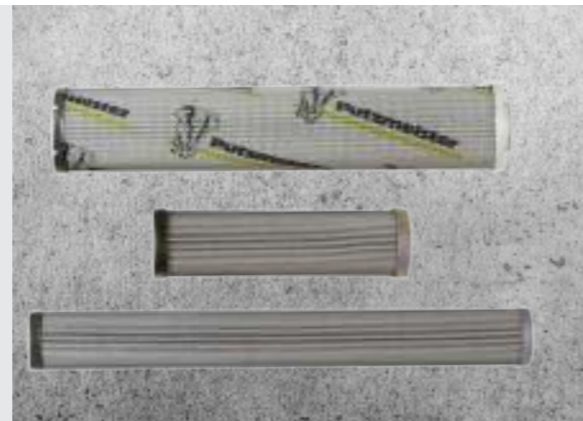
We provide continuous training for our service technicians, provide a close-knit information network and the latest equipment and consistently strive to meet our customers' needs.

Thanks to state-of-the-art technology, our employees have all the relevant technical information about your machine at their fingertips, should the need arise. Allowing us to provide you with the best possible support for emergencies, repairs or preventive maintenance.



### Genuine parts for maximum availability

It goes without saying that we use only genuine Putzmeister parts in our workshops. This is the only way to guarantee consistent quality, checked for interoperability. And you can be absolutely sure that your machine meets the tough requirements with maximum performance and availability.



### Excellent in quality customer proximity

In case of need, you have two options: Either the service team visits you or you take your machine to one of our service workshops. The latest tools, software analysis solutions and genuine parts ensure that your machine is operable again immediately.

All Putzmeister workshops and the workshops of our international Putzmeister partners meet our high quality standard. Especially when it comes to manufacturer's inspections and acceptance procedures in accordance with specifications.



### Induction at handover – everything correct from the outset

So you and your machinist can adapt perfectly to all special features and innovations.

### Customer training – benefit from expert knowledge

Practice-based learning offers a host of benefits: Your employees master the machine with all its special features, use the machine to optimum effect, reduce operating costs and avoid operating errors.

### 100 hours of customer service – avoid potential sources of error

Our customer service team provides you with a status report on your concrete pump as per the Putzmeister service plan.

### Our services for cost-effective activities

The Putzmeister service support points offer you these services – all provided by our experienced service employees:

### Mandatory machine inspection – calculable costs instead of incalculable failures

Visual inspection and functional check of components for 100% safety. The hydraulic system with cylinders, electrical system and core pump are also inspected.

### 500 hours of customer service – protect your investment, retain your value

Our technical customer service team is the number one choice for checking the safety and wear of your machine. You receive a status report for this too.

## Our range of training courses and seminars

### For concrete pump machinists

- Training and development seminars Concrete pumps
- Training and development seminars PUMI with piston and rotor pumps
- Regional / company seminars (in your region or on your premises)

### For concrete pumps mechanics

- Training and development seminars Concrete pumps

### For concrete pump machinists and mechanics

- Practical days in Aichtal
- Training: Handover and induction, on-the-job training

### For workshop managers and foremen

- Overview of current developments in Putzmeister concrete pumps
- Qualification at the customer workshops for requisite maintenance work

Further information can be found at: [www.pm-akademie.de](http://www.pm-akademie.de)



# You will find us here

## **Central Services Aichtal**

Putzmeister Concrete Pumps GmbH  
Max-Eyth-Straße 10 · 72631 Aichtal  
Tel. +49 (7127) 599 - 0 · Fax +49 (7127) 599 - 520  
pmw@pmw.de · www.putzmeister.de

## **Putzmeister Service Center Berlin**

Putzmeister Concrete Pumps GmbH  
Kiesweg 4-5 · 16348 Wandlitz  
Tel. +49 (33397) 778 - 0 · Fax +49 (33397) 778 - 24  
nl-berlin@pmw.de · www.putzmeister.de

## **Putzmeister Service Center Essen**

Putzmeister Concrete Pumps GmbH  
Im Teelbruch 89 · 45219 Essen - Kettwig  
Tel. +49 (2054) 9512 - 0 · Fax +49 (2054) 9512 - 14  
pmw@pmw.de · www.putzmeister.de

## **Putzmeister Service Center Frankfurt**

Putzmeister Concrete Pumps GmbH  
Industriestraße 10 · 63584 Gründau Rothenbergen  
Tel. +49 (6051) 4805 - 800 · Fax +49 (6051) 4805 - 850  
pmw@pmw.de · www.putzmeister.de

## **Putzmeister Service Center Hamburg**

Putzmeister Concrete Pumps GmbH  
Bei den Kämpen 13 · 21220 Seevetal  
Tel. +49 (4185) 7938 - 0 · Fax +49 (4185) 3682  
nl-hamburg@pmw.de · www.putzmeister.de

## **Putzmeister Service Center München**

Putzmeister Concrete Pumps GmbH  
Kirchhoffstraße 10 · 85386 Eching  
Tel. +49 (8165) 9599 - 0 · Fax +49 (8165) 9599 - 30  
nl-muenchen@pmw.de · www.putzmeister.de

## **Putzmeister France**

3 Rue Paul-Henri Spaak · 77240 Vert Saint Denis  
Tel. +33 (0) 1 64 64 39 39 · Fax +33 (0) 1 64 64 39 29  
pmf@putzmeister.fr · www.putzmeister.fr

## **000 "Putzmeister-Rus"**

Urgumskaja Street 4 · Building 31 · 129343 Moskau  
Tel. +7 (495) 77522-37 · Fax +7 (495) 77522-34  
info@putzmeister.ru · www.putzmeister.ru

## **Putzmeister S.A. (Pty) Ltd**

P.O. Box 5146 · ZA 2118 Cresta  
Tel. +27 (11) 794-3790 · Fax +27 (11) 794-4119  
www.putzmeister.co.za

## **Putzmeister Iberica S.A.**

Camino de Hormigueras 173 · E 28031 Madrid  
Tel. +34 (91) 42881-00 · Fax +34 (91) 42881-06  
www.putzmeister.es

## **Putzmeister Makine San. ve Tic. A.Ş.**

Gazi Osman Paşa Mah. · Namık Kemal Bulvarı No. 6  
59500 Çerkezköy / Tekirdağ  
Tel. +90 (282) 73510-00 · Fax +90 (282) 73510-01  
info@putzmeister.com.tr · www.putzmeister.com.tr

## **Putzmeister Ltd**

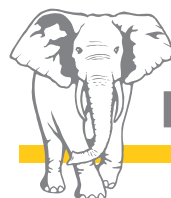
Carrwood Road · Chesterfield Trading Estate  
Chesterfield · Derbyshire S41 9QB  
Tel. +44 (0) 124626-4200 · Fax +44 (0) 124626-0077  
info@putzmeister.co.uk · www.putzmeister.co.uk

Further brochures: Ergonic® BP 4690  
Pump line system PM 2300



## **INTERMIX GmbH**

Grüntentraße 1 · 87751 Heimertingen  
Tel. +49 (8335) 98 28-0 · Fax +49 (8331) 98 28-30  
info@intermix.de · www.intermix.de



# Putzmeister